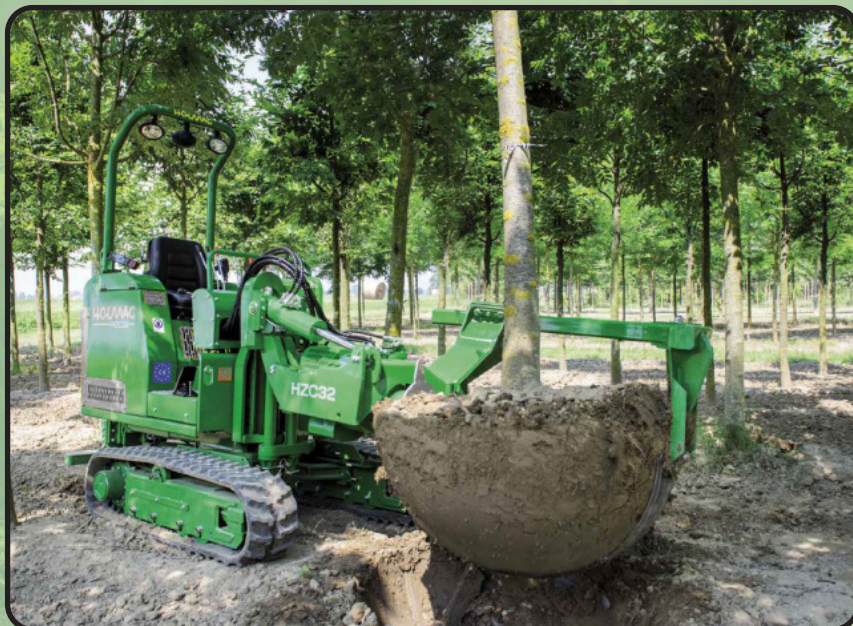
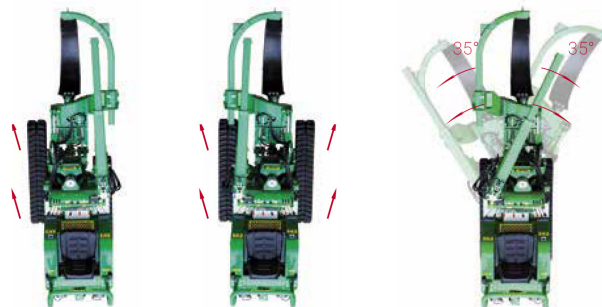


The HZC 32 is a machine projected and built to grant the best work capacity with the biggest security and results. This machine is in the middle between the HZC 29 and the HZC 38 with the blade of 47", but with more power. This machine is a development of the HZC 29, that in 1999 was the first one to work with the system of vertical lift up of the rootball with the blade. With this machine, moreover, we highly reduced the vibrations and increased the comfort for the operator with a better visibility during tree-digging. (Optional Crane Available)



18" Vertical Lift



Rootball Dimensions

10" - 47"

HP

44

Weight (w/ blade)

3,968 lbs

Tracks

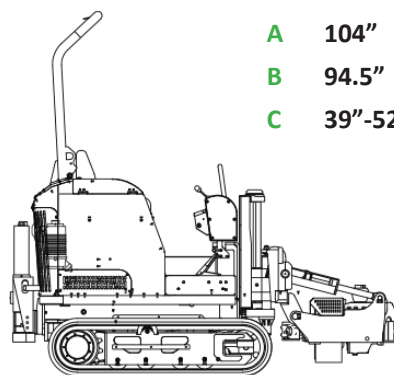
Rubber

First Speed

2.2 MPH

Second Speed

4 MPH

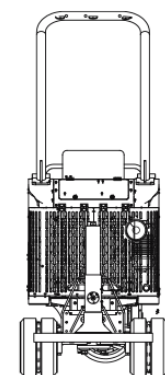


A 104"

B 94.5"

C 39"-52"

B



A

C